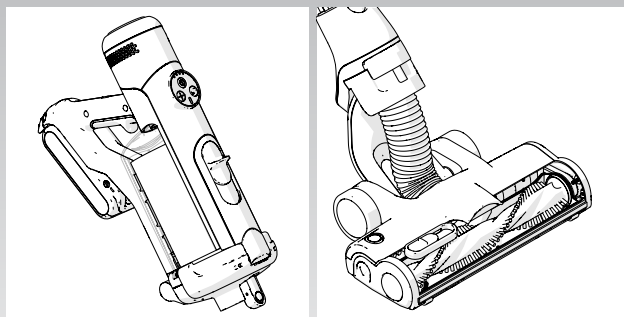
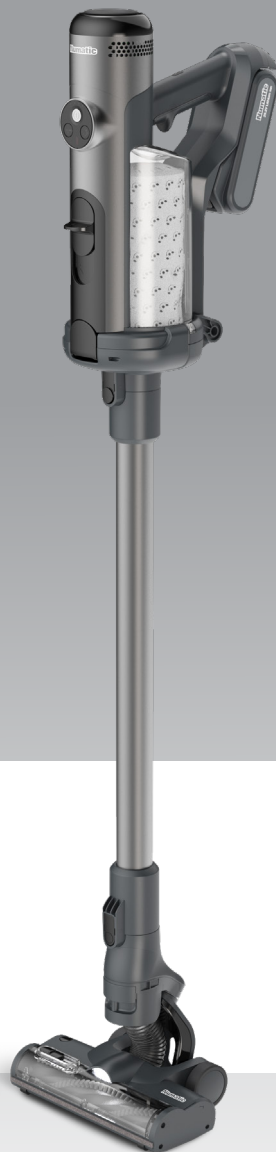


# Numatic

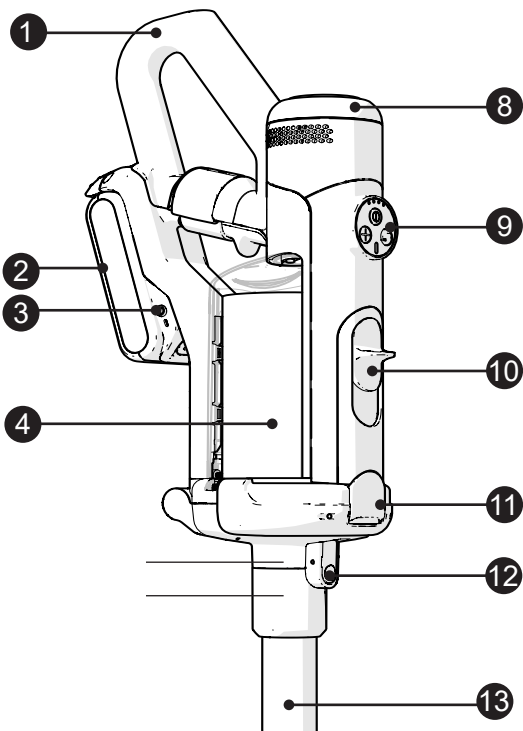
(NQ.100)



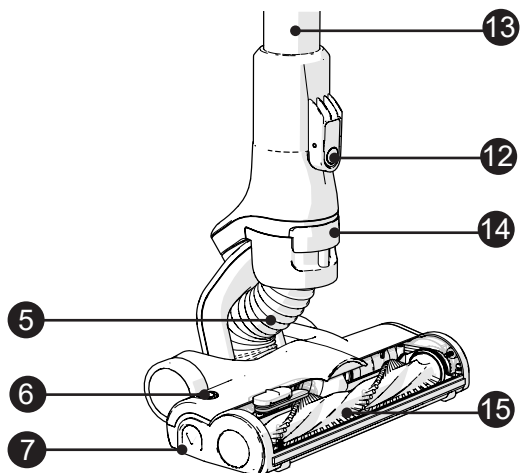
## Original Instructions

CAUTION, Read instructions before using the machine  
KEEP FOR FUTURE REFERENCE

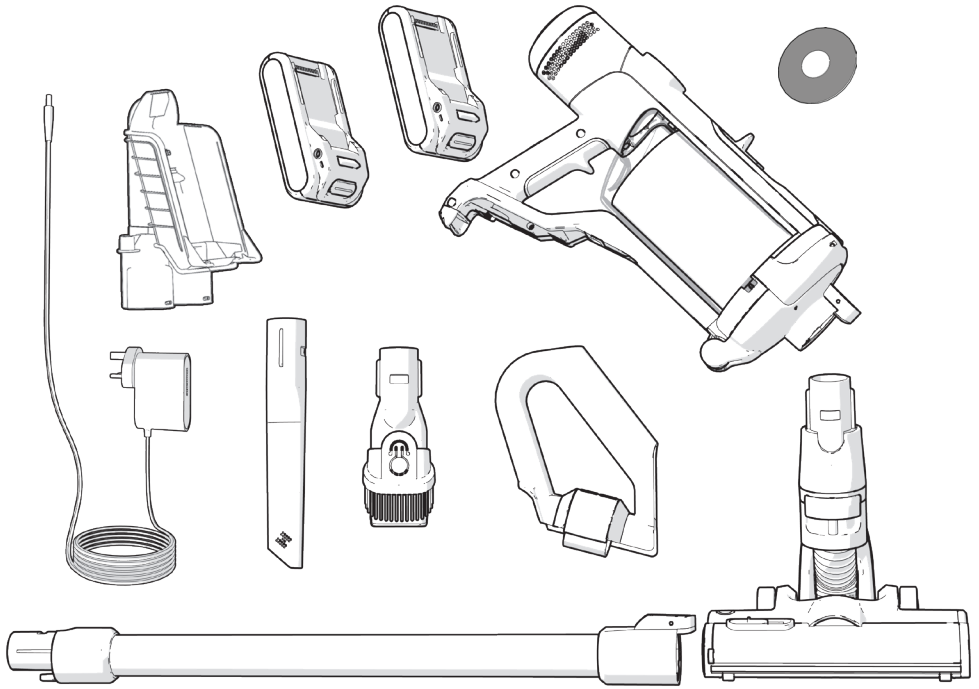




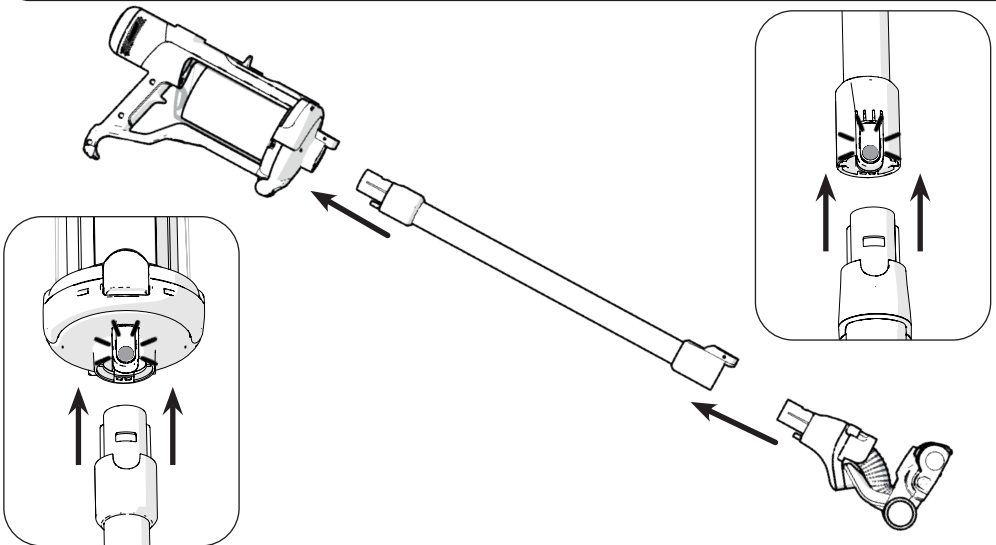
GB		
1	Extension handle	Page 9
2	Battery pack	Page 4, 5 & 10
3	Charging Port	Page 7 & 10
4	Filter Pod / Tank	Page 8
5	Hose	Page 11
6	Brush release button	Page 12
7	Brush release panel	Page 12
8	Scent capsule cover	Page 6
9	Control Panel	Page 5 & 10
10	Lid release / Pod Eject	Page 8
11	Lid Catch	Page 8
12	Release Button	Page 4
13	Wand Section	Page 4
14	Hose release	Page 11
15	Brush Roll	Page 12



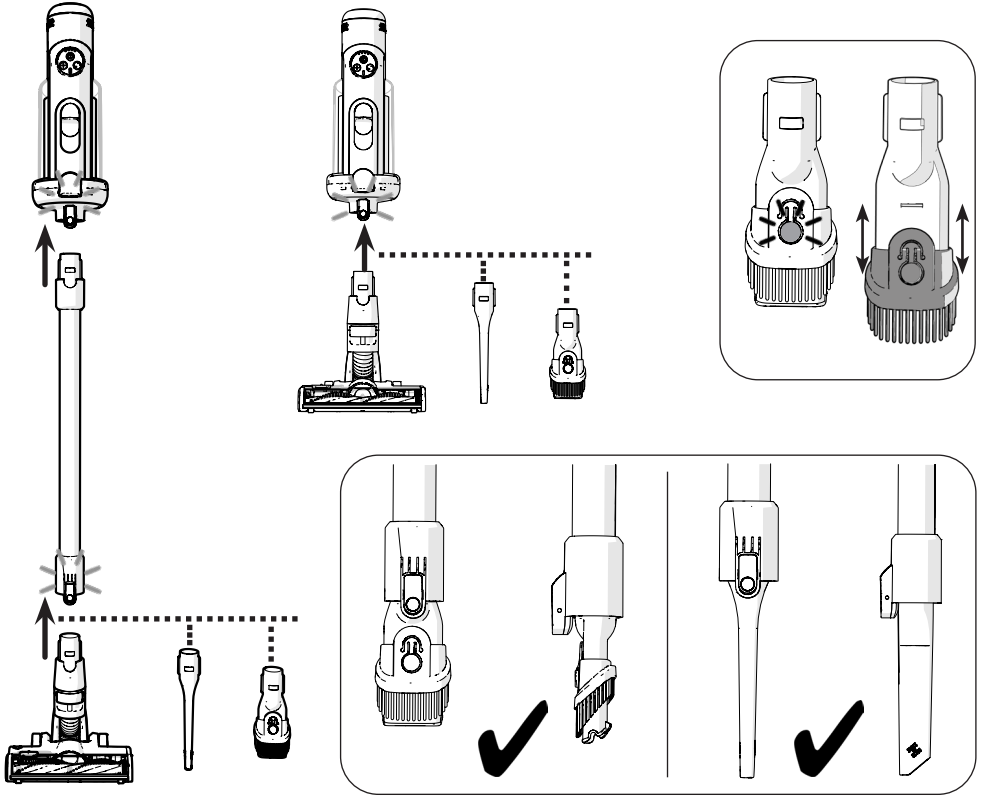
## Box Contents



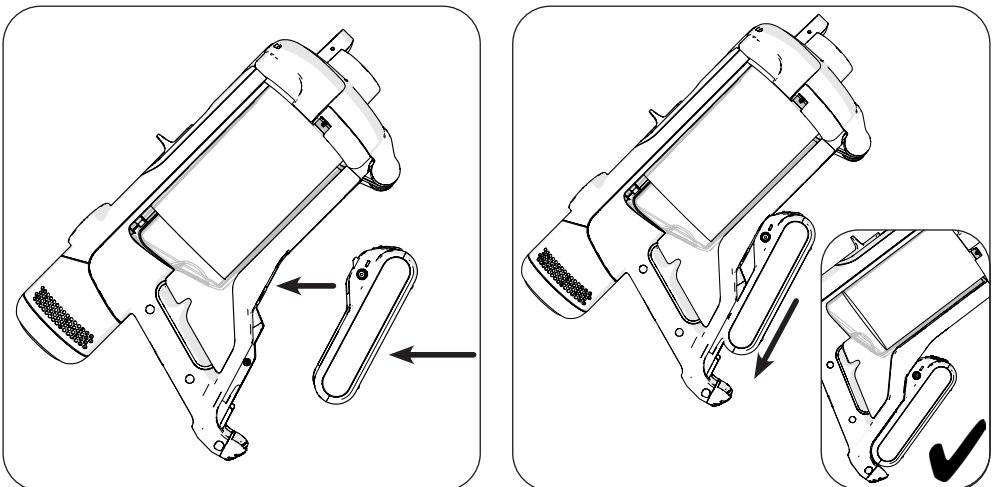
## Main Assembly



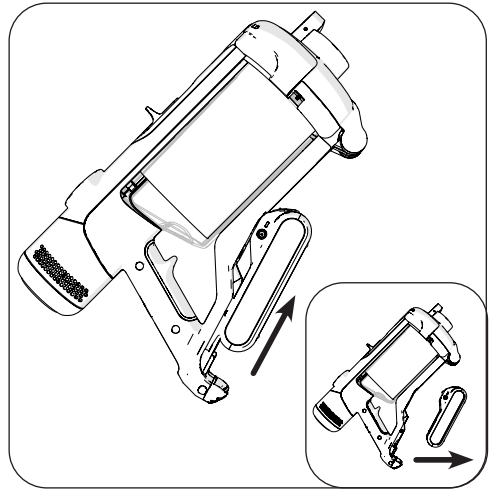
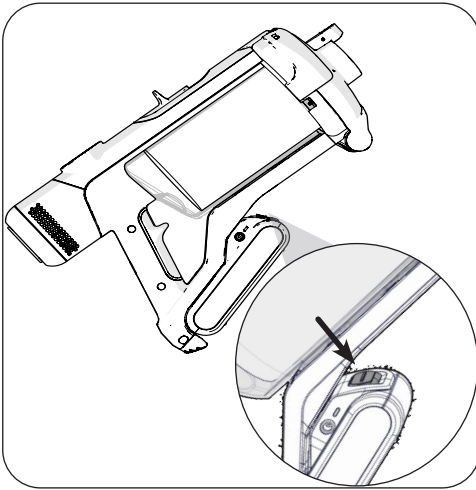
## Accessory Fitting



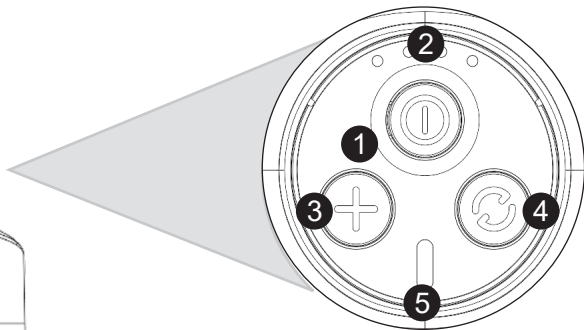
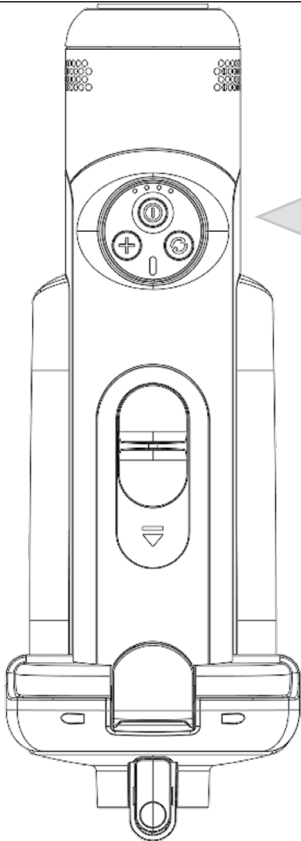
## Battery Fitting



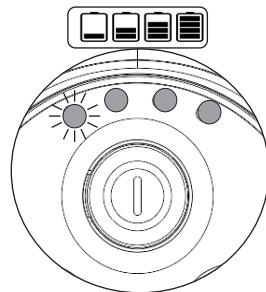
## Battery Removal



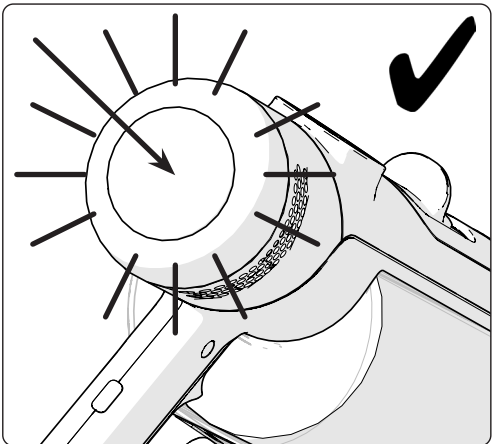
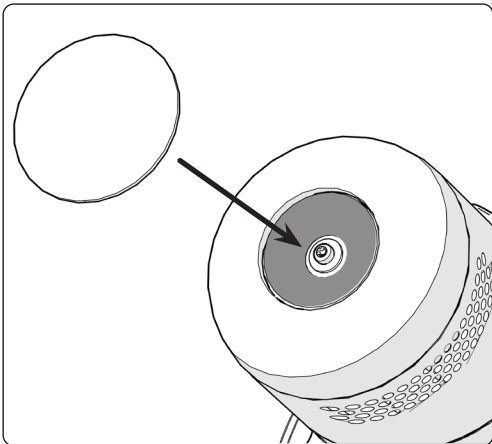
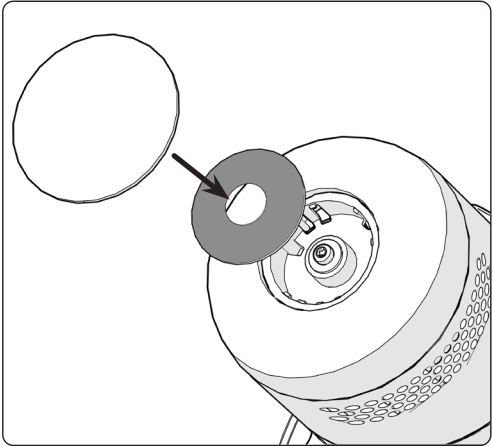
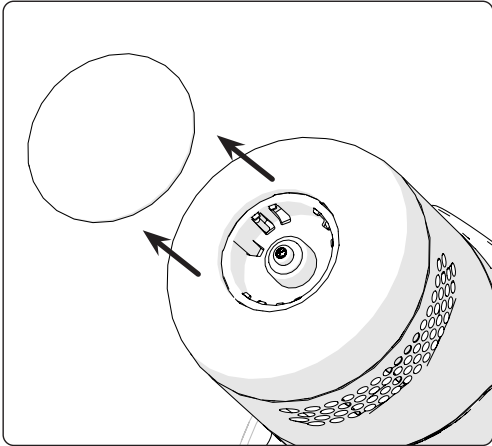
## Control Panel



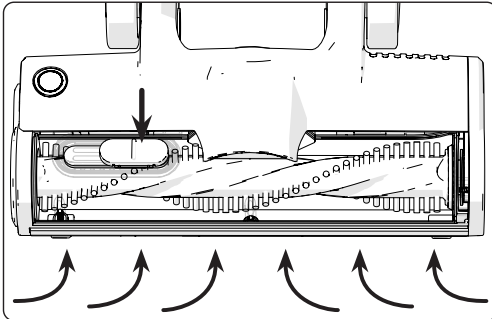
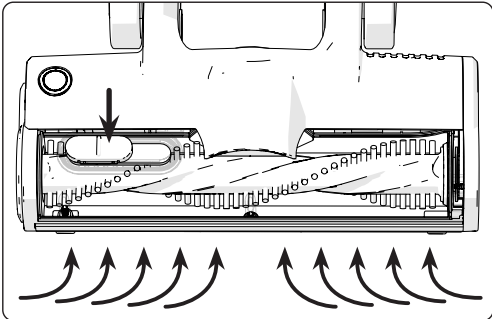
1	Power on/off
2	Battery life / Charge status
3	Boost mode on/off
4	Brush roll on/off
5	Filter POD full / system blockage



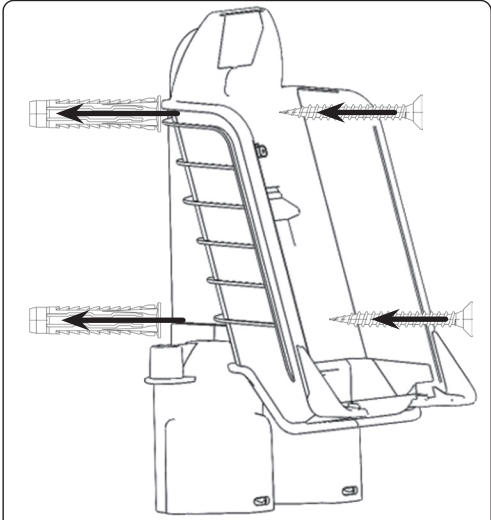
# Scent Capsule Fitting



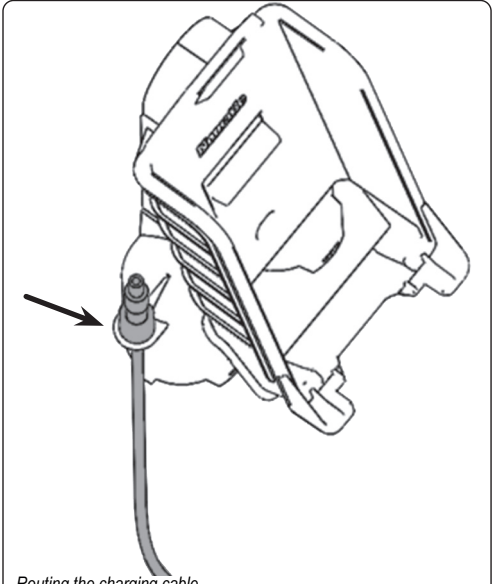
# Floor Tool Air Bleed Control



# Charger Wall Mounting

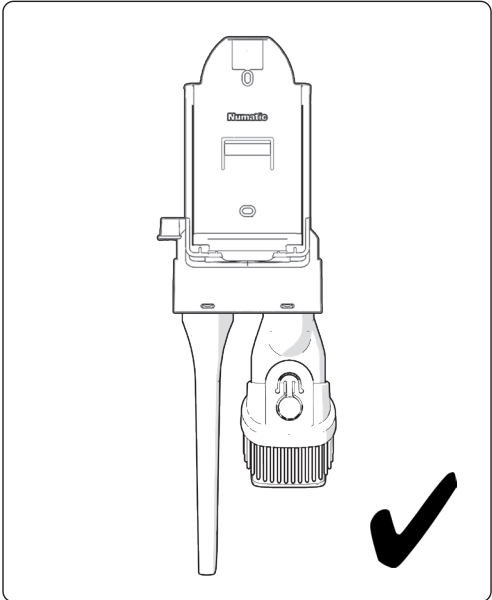
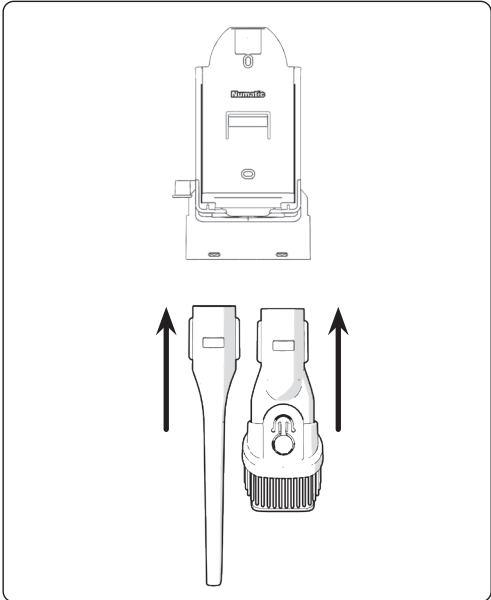


Use correct fixings for your wall type, which is suitable for the weight of the machine (3.2kg).  
The use of adhesives is not considered a reliable means of fixing.

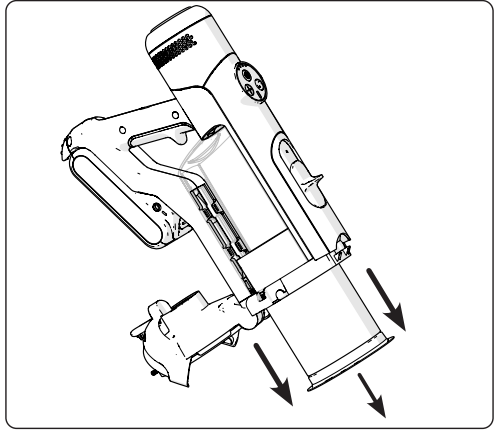
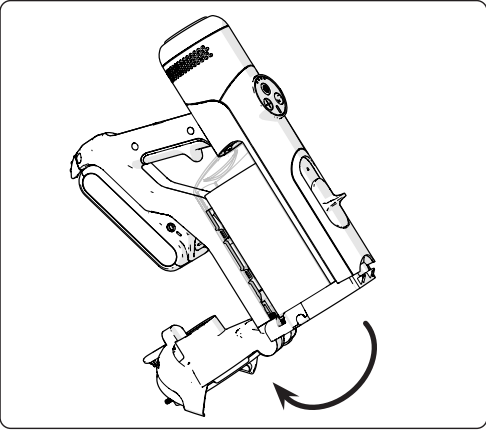
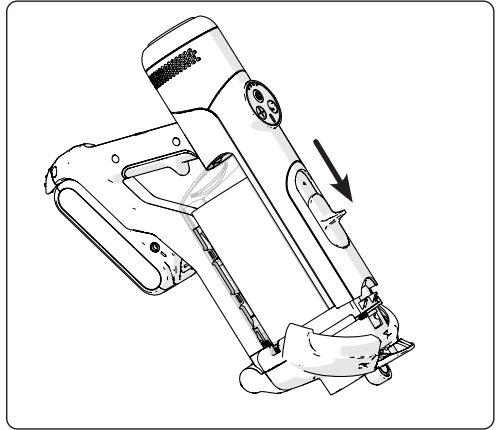
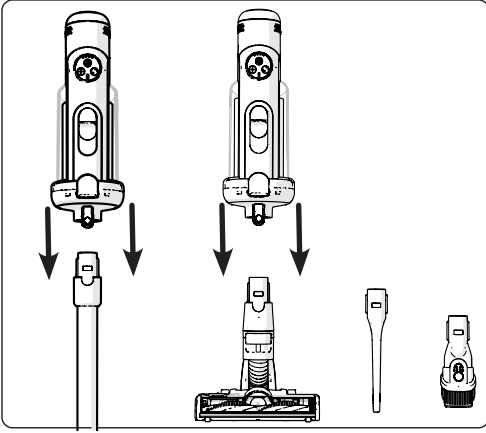


Routing the charging cable

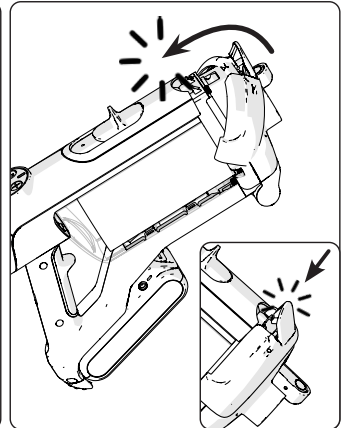
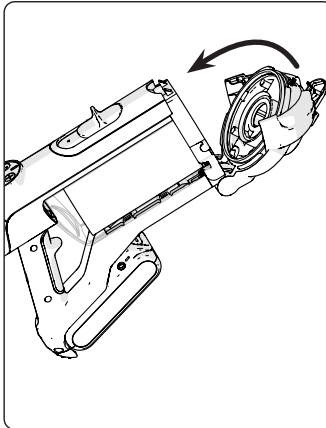
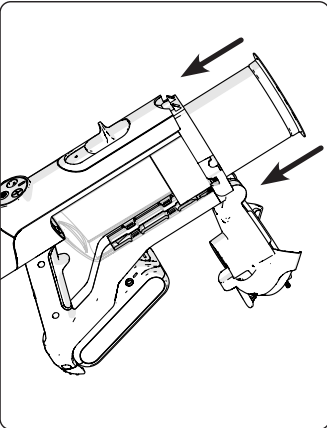
# Accessory Storage



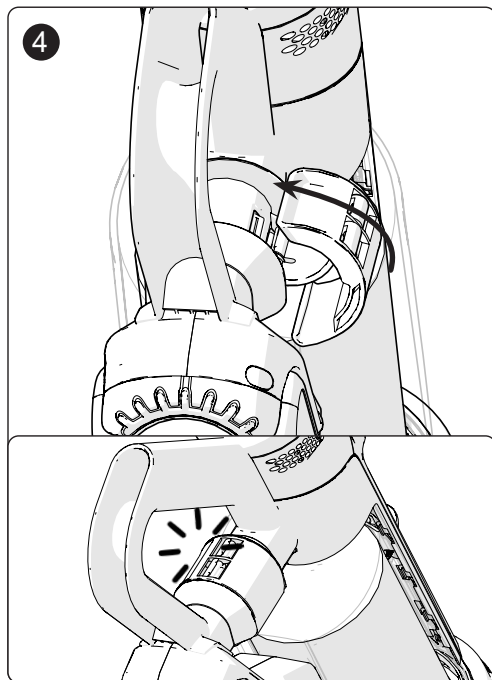
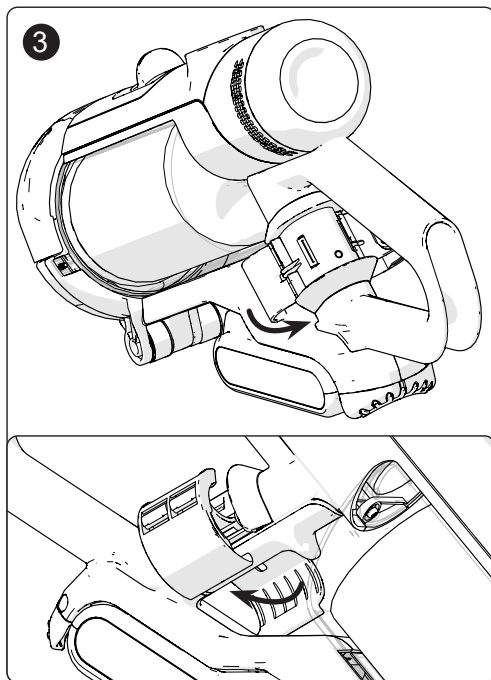
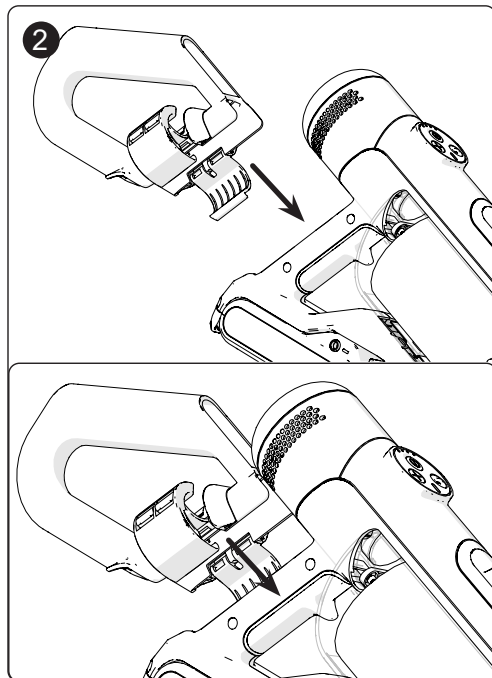
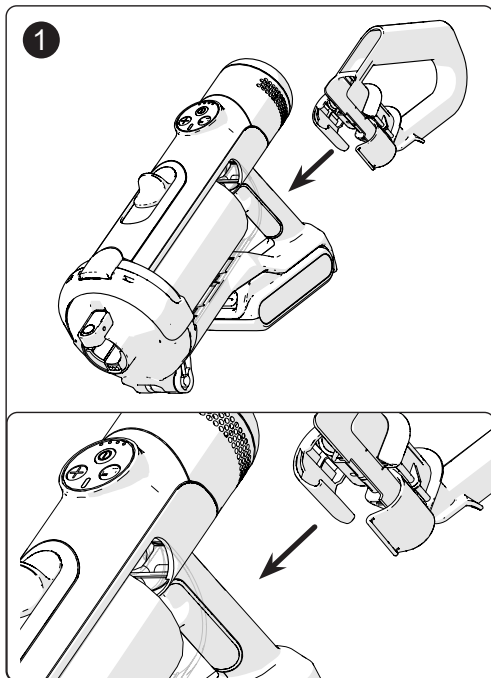
## Disposable Pod Emptying



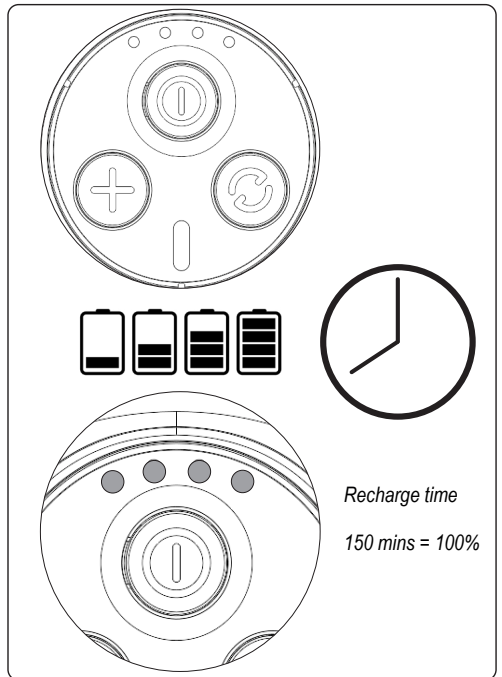
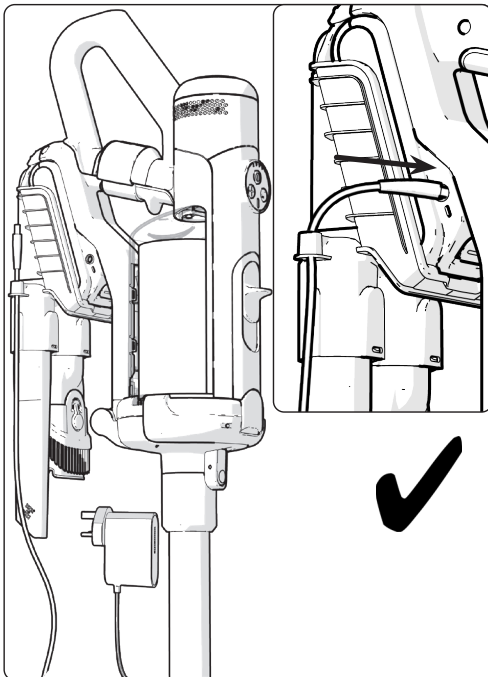
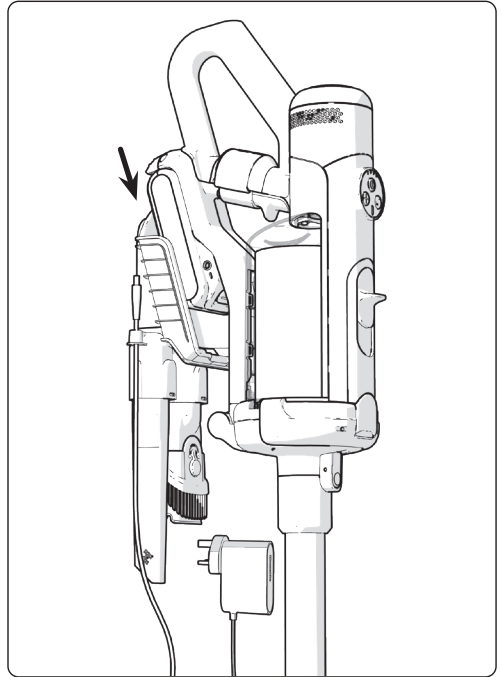
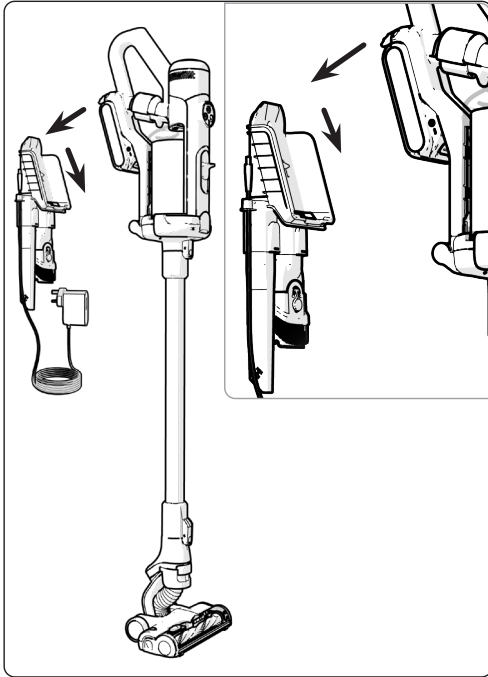
## Disposable Pod Fitting



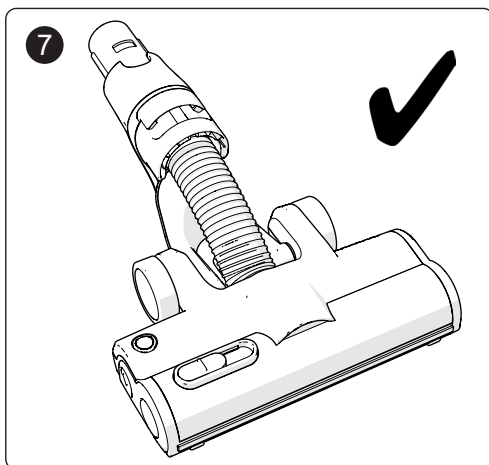
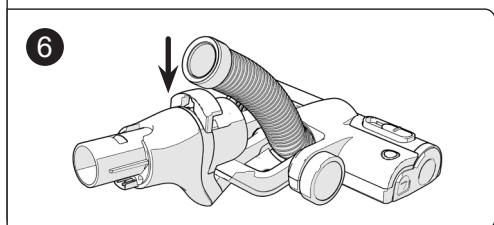
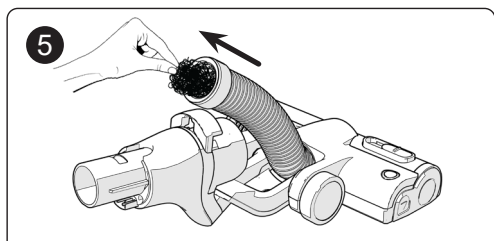
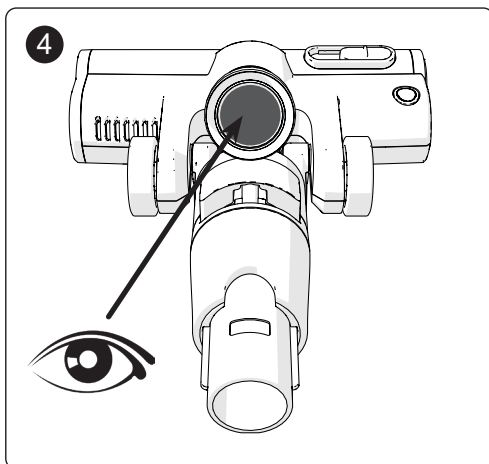
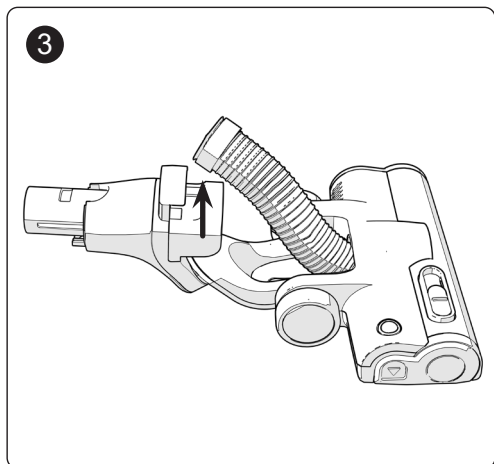
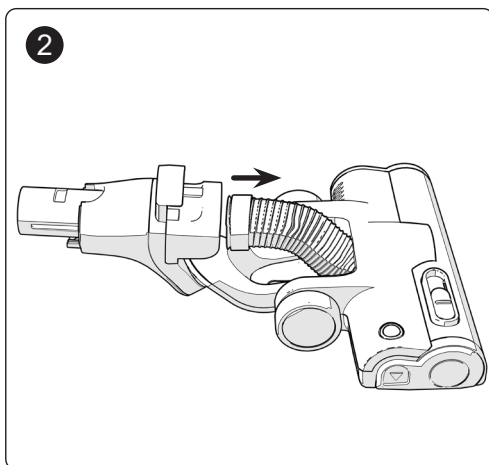
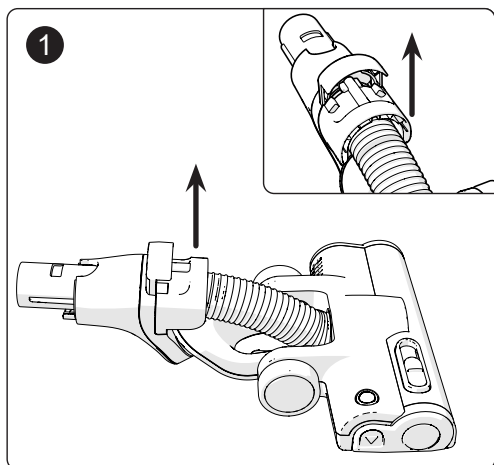
# Extension Handle Fitting / Removal



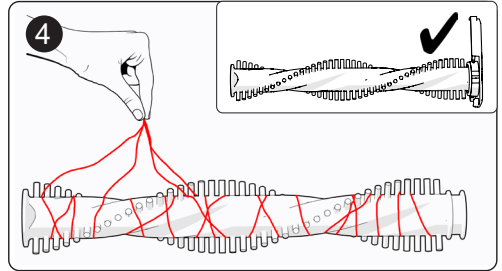
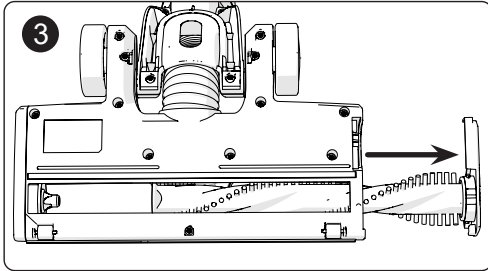
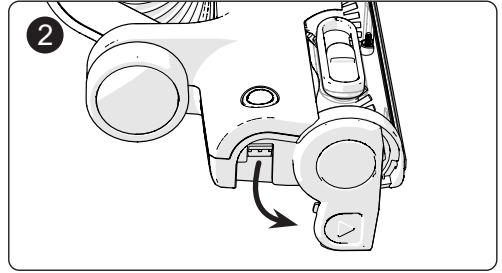
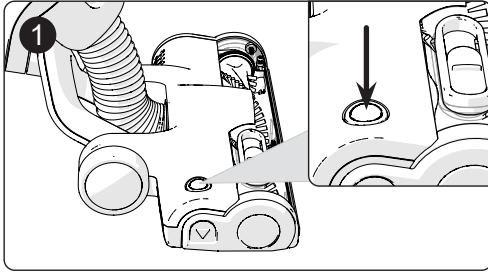
# Machine Charging



# Floortool Hose Cleaning / Blockage Removal



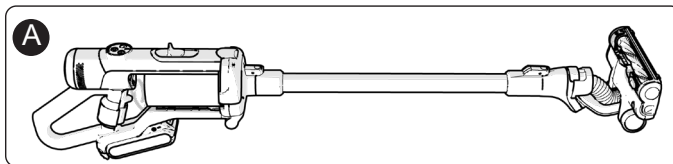
## Brush Roller Removal & Cleaning



## Machine data

Model	Voltage	Protection class	Weight (Ready to work) See Fig (A)	Sound pressure (LpA) Uncertainty (KpA)	*Run Time
NQ.100	25.2 V	Class III	3.2 kg	77 dB (A) 0.5 dB	70 min (Low – Brush OFF) 55 min (Low – Brush ON) 16 min (High – Brush OFF) 14 min (High – Brush ON)
	Pod Capacity	*Charging Times	Rated Power	Hand / Arm Vibration	Dimensions L x W x H
	1 L	150 mins to 100%	300 W	$ah \leq 2.5 \text{ m/s}^2$	270 mm x 240 mm x 1220 mm

\*Run and Recharge times may vary dependent on ambient temperature and expected battery ageing.



## Trouble Shooting

No.	Problem	Possible Reason	Solution
1	Large RED light on control panel is flashing	There may be a blockage in the system	Check the floorhead hose, wands, connections and accessories, remove any blockages, page 11
		The filter pod may be full	If there are no blockages in the system, eject and replace the filter pod, page 8
2	Machine is difficult to push on carpet	The carpet pile is very deep or dense and can cause high pressure inside the floor head	Open the air valve on top of the floorhead to reduce pressure, page 6
			Switch the machine from boost to normal mode, page 5
3	Floor brush cuts out on rugs or carpet	The carpet or rug pile is very deep and can cause high pressure on the brush, the safety system cuts power to the brush	Switch off floor brush from the control panel, page 5
			Switch the machine from boost to normal mode, page 5
4	Vacuum lifts area rugs	The vacuum suction may be too high and/or the brush roll is picking up the rug	Switch the machine from boost to normal mode and switch off the brush roll, page 5
			Adjust floor Tool Air Bleed Control page 6
5	Floor head is not picking up hair or fibres	The floor brush has excessive hair wrapped around it	Remove the floor brush from the floor head and clean, page 12
		There is a partial blockage in the floor head or wands	Check the floorhead hose and wands, remove any blockages, page 11/12
6	No power at rotating floor brush	The brush head button is switched off	Switch the machine off and then back on again, page 5
7	Machine will not power up after prolonged use	The machine is equipped with a motor-protective thermostat as well as battery extreme temperatures protections, the system temperatures are outside of working parameters	Allow the machine and the battery to cool down

# (GB) About your machine

1	Model
2	Machine yr/wk Serial Number
3	Weight
4	Approval Marks
5	Voltage / Direct Current / Rated Power
6	Company Name & Address
7	Use Lithium-Ion Battery Only
8	WEEE Logo
9	Manufacturer

## Rating Label

1 MODEL XXX.XXX  
 2 Serial NO XXXXXXXXXXXX  
 3 Net Weight X.Xkg  
 Name of EU importer in manual  
 4  
 5 XX.XV --- XXXW  
 6 Chard, Somerset, TA20 2GB, UK  
 7 Use Lithium-Ion Battery  
 8 XXXXXX/XXXXXXXXXXXX only  
 9  
 WARNING - To reduce the risk of injury, user must read instruction manual.  
 AVERTISSEMENT - Pour déduire le risque de blessure, l'utilisateur doit lire la notice d'instruction.  
 Designed & Tested in the UK by Numatic International.  
 Manufacturer: Made in PRC.

## Floor Tool Label

1 XXX.XXX  
 2 Net Weight X.Xkg  
 Part Number: XXXXXX  
 3 XX.XV --- XXW  
 4  
 5 Designed & Tested in the UK by Numatic International.  
 Manufacturer: Made in PRC.

1	Model
2	Weight
3	Voltage / Direct Current / Rated Power
4	Approval Marks
5	Manufacturer

## Battery Label

1	Company Name & Address
2	Voltage / Direct Current / Battery Capacity
3	Model
4	Approval Marks
5	WEEE Logo
6	Caution / Attention
7	Manufacturer

1 Chard, Somerset, TA20 2GB, UK  
 2 XX.XV --- XXXXmAh XX.XWh 7 IN R19/66  
 3 Model: XXX.XX  
 Rechargeable Lithium-Ion Battery Pack  
 PART NO. XXXXXX  
 SERIAL NO. XXXXXXXX  
 Name of EU importer in manual  
 4  
 5  
 6 CAUTION / ATTENTION  
 Do not open, crush, heat above +60°C or incinerate.  
 Follow manufacturing instructions. Read instructions before use.  
 Charge only with Numatic specific charger ZDD2AM30D120.  
 Do not charge below 0°C. Max charge current 1.5A.  
 Max charge voltage 29.4V. May cause heat, explosion and fire.  
 7 Risque d'incendie et de brûlures. Ne pas ouvrir, écraser, chauffer au-dessus de +60°C ou incinérer. Suivez les instructions de fabrication. Lire les instructions avant utilisation. Chargez uniquement avec le chargeur spécifique par Numatic ZDD2AM30D120. Ne pas charger en dessous de 0°C. Courant de charge max 1.5A. Tension de charge maximale 29.4V. Peut provoquer de la chaleur, une explosion et un incendie.  
 Designed & Tested in the UK by Numatic International.  
 Manufacturer: Made in PRC.

**Daily**

Keep the machine and all parts clean, including hoses and tubes.  
 Ensure the filter pod is fitted.  
 Regularly examine the charger.  
 Check filter pod frequently and renew if required.

**Weekly - as daily and:-**

Check for any worn or damaged parts and replace immediately.

**Batteries**

Always recharge the batteries after use.

**WEEE (Waste, Electrical and Electronic Equipment)**

Accessories and packaging should be sorted for environmentally-friendly recycling.





**Only for UK/EU countries.**

Do not dispose into household waste.

According to the European Directive 2012/19/EU on waste electrical electronic equipment and its incorporation into national law.

Items that are no longer suitable for use must be separated, collected and sent for recovery in an environmentally-friendly manner.

*PPE (Personal protective equipment) that may be required for certain operations.*

				
Ear Protection	Safety Footwear	Head Protection	Safety Gloves	
				
Dust / Allergens Protection	Eye Protection	Protective Clothing	Hi-Vis Jacket	
				Caution Wet Floor Sign

*NOTE: A risk assessment should be conducted to determine which PPE should be worn.*

**Failure to rectify the problem or in the event of a breakdown contact your Numatic dealer or the Numatic Technical helpline +44 (0)1460 269268**

# Information for Dry use Battery Vacuum cleaners

## Warning

Read the instruction manual before using the machine.

Operators shall be adequately instructed on the use of these machines, as with all electrical equipment, care and attention must be exercised at all times during use, you must also make certain that routine and preventative maintenance is carried out periodically to ensure safe operation.

Failure to carry out maintenance as necessary, including the replacement of parts to the correct standard could render this equipment unsafe and the manufacturer can accept no responsibility in this respect.

This machine is for DRY USE only.

When charging the appliance make sure that the charging lead is safely secured and the jack is properly inserted into the battery.

Keep hair, loose clothing, fingers and all parts of body away from openings and moving parts.

You must remove the battery from the machine BEFORE cleaning or maintenance and when replacing parts or converting the machine to another function.

This appliance is intended to be assembled, cleaned and maintained by an adult.

This machine is not suitable for the collection of biological hazards, hazardous or explosive dusts.

Contact your local distributor if you require a machine capable of performing these tasks.

This machine is not intended for use by persons (including children) with reduced physical, sensory or mental capabilities, or lack of experience and knowledge.

Keep scent capsules away from children, as they are harmful if swallowed.

Extra care must be taken when cleaning on stairs.

Children should be supervised to ensure that they do not play with the appliance.

This machine is not a toy; children shall not play with this machine.

## Caution

This machine must not be stored outside, or used in wet environments, or to collect wet materials.

The vacuum cleaner should be stored in a dry place and is for indoor use only.

You must ensure that the machine is suitable for the material being collected.

## Note:

The primary use for this machine is for domestic, as well as commercial settings, for example in homes, hotels, schools, hospitals, factories, shops and offices.

This vacuum cleaner is fitted with a thermal protection device.

If the vacuum cleaner has a blockage, remove the battery and inspect the floor tool, tubes and hose for debris.

If the floor tool, tubes and hose are clear, replace the filter pod.

The vacuum cleaner should be inspected after use for damage.

When moving from one place to another, consider the weight of the machine.

## Do

Keep your machine clean including hoses and tubes.

Change the filter pod frequently.

Keep hoses and tubes clear.

Replace any worn or damaged parts immediately.

Use OEM specified Numatic Scent Capsules only as shown in this manual.

## Don't

Use to suck up hot ashes or lighted cigarette ends.

Use steam cleaners or pressure washers to clean the machine or use in the rain.

Immerse in water for cleaning.

Attempt machine maintenance or cleaning unless battery has been removed from the machine.

Under any circumstances place foreign objects i.e. air fresheners, air freshener capsules or scented beads or any other object not originally supplied as part of the machine or OEM accessory pack, into the machine.

Doing so can be dangerous and risks damage to the machine and may also invalidate the machine warranty.

**NOTE:- It is recommended that a battery is fully charged before first use.**

## Important Warnings – Charger

**Read all these warnings before using the charger.**

- **CAUTION!** Charge only Numatic Lithium-Ion batteries, other types of batteries may burst causing personal injury and damage.
- Do not charge damaged batteries.
- Do only charge dry batteries.
- Check the charger cable regularly for any sign of damage. If the charger cable is damaged the charger should be replaced, by an original NUMATIC INTERNATIONAL charger available from the manufacturer or service agent.
- Do not use damaged chargers.
- Protect the charger against moisture and store it in a dry place.
- Do not use the charger if it is wet or handle the charger with wet hands.
- The mains voltage available must correspond to the voltage stated on the rating plate of the charger.
- The no load voltage of the charger is 30 V.
- Do not operate charger in explosive environment.
- Do not carry the charger by holding the charger cord.
- Do not unplug by pulling on cord. To unplug, grasp the charger, not the cord.
- Do not cover the charger whilst charging.
- Do not open the charger. Repairs shall be done only by authorised personnel.

### **Warning:**

***The battery included in this product must only be charged by the Numatic Charger supplied with the product under NO circumstances should an alternative non Numatic charger be used as there is risk severe damage and fire could result. Only use genuine Numatic parts.***

### **Instructions for Use – Charging Batteries**

The charger is capable of operating at different mains voltages and frequencies without user adjustment. Ensure the charger jack plug is fully inserted into the the battery. (see page 10)

If the charger is damaged or does not charge anymore, do not use the charger and contact your supplier. Make sure charger replacements are a genuine Numatic service part.

### **Health Hazards (Acute & Chronic).**

The chemicals used in the battery are in a sealed container.  
Risk of exposure only occurs if the battery is abused or damaged.  
Contact of electrolyte and lithium with skin and eyes should be avoided.

### **Signs & Symptoms of Exposure.**

A damaged or leaking battery can cause chemical burns upon contact.  
Such situation might only occurred when the battery cell is opened or damaged.

## Important Warnings – Batteries

Read all the warnings before using the battery.

This cleaner uses Numatic Lithium-Ion batteries. Used batteries should be disposed of safely and placed in a sealed plastic bag and then handled according to all locally approved precautions and environmental regulations.

- a) Do not dismantle, open or shred batteries.
- b) Do not expose batteries to heat or fire. Avoid storage in direct sunlight.
- c) Do not short-circuit a battery. Do not store batteries haphazardly in a box or drawer where they may short-circuit each other or be short circuited by other metal objects.
- d) Do not remove a battery from its original packaging until required for use.
- e) Do not subject batteries to mechanical shock.
- f) In the event of battery leaking, do not allow the liquid to come in contact with the skin or eyes and avoid inhaling fumes. If contact has been made, wash the affected area with copious amounts of water and seek medical advice.
- g) Do not use any charger other than that specifically provided for use with the appliance.
- h) Do not use any battery which is not designed for use with the appliance.
- i) Use only original NUMATIC batteries, when replacement batteries are required.
- j) Keep batteries clean and dry.
- k) Do not leave a battery on prolonged charge when not in use.
- l) After extended periods of storage, it may be necessary to charge and discharge the batteries several times to obtain maximum performance.
- m) Retain the original appliance literature for future reference.
- n) When possible, remove the battery from the equipment when not in use.
- o) Do not immerse in any liquid.
- p) Do not charge damaged batteries.
- q) If the batteries are leaking, return batteries to a disposal plant or a similar local facility.
- r) The batteries must be removed from the appliance before the appliance is scrapped.
- s) If the appliance is to be stored unused for a long period, the batteries should be removed.

The battery is equipped with electronic thermal protection, refer to the **Temperature and Humidity Range Table** below for recommended operating conditions.

**Temperature and Humidity Range Table**

Storing	+5 ... +35 °C
Discharge	+5 ... +35 °C
Charge	+5 ... +35 °C
Shipment	-20 ... +60 °C
Humidity	25 - 85% RH no condensation
<b>Long term storage</b>	
Humidity	≤ 50% RH no condensation

*In case battery is subject to environmental conditions outside the above parameters user must allow at least 3 hours for battery to acclimatise at room temperature before attempting to operate.*

***If the battery is found to be faulty at any time, contact Numatic International,  
or World Wide Lithium-Ion Battery Technical Helpline +1-703-741-5970***

# Care and Disposal of Li Ion Batteries

## DEFECTIVE BATTERIES

### ATTENTION



Please follow all safety guidelines set out.  
A defective battery should not be stored inside buildings on any account.



- If a customer wishes to return a battery to a supplier, then collection of the battery must be arranged by the supplier, however, **Faulty batteries must not be returned through the postal system or by courier.**
- If on return to a supplier, OR at a customer base, a suspected defective battery shows any signs of impact damage, distortion, blistering, loose parts or leakage then on no account should it be offered for condition checking. It must be considered defective and the procedures described followed.
- If, on return to a supplier, OR at a customer base, a suspected defective battery, that shows no signs of impact damage, distortion, blistering, loose parts or leakage, may be offered for condition checking with an appropriate battery condition checking device operated by a competent person.
- If on checking the battery is found to be operational then a single recharge cycle under observation can be attempted with the appropriate Numatic charger.
- If the battery recharges correctly on this single recharge cycle then it can be deemed a good battery.
- If the battery fails to recharge correctly on this single recharge cycle then it must be deemed a defective battery and the procedures followed.
- On no account must any further attempt to recharge be made.
- A defective battery should not be stored inside buildings on any account.
- The defective discharged battery can then be stored in a locked battery waste container which should be plastic or plastic lined and placed away from buildings and clearly signed as a defective battery container with appropriate warnings.

The battery is to be disposed of safely and in accordance with all locally approved precautions and environmental regulations.

## First Aid Measures

If exposed to any of the Chemicals mentioned in the Hazards section please follow the procedures below:

### **Eyes.**

Flush eyes with plenty of water for at least 15 minutes, occasionally lifting the upper and lower eyelid. Seek medical attention.

### **Skin.**

Remove contaminated clothing and rinse skin with plenty of water or shower for 15 minutes. Seek medical attention.

### **Inhalation.**

Vacate from site of exposure to fresh air immediately. Use oxygen if available.

### **Ingestion.**

Give at least two glasses of milk or water. Induce vomiting, unless patient is unconscious. Seek medical attention.

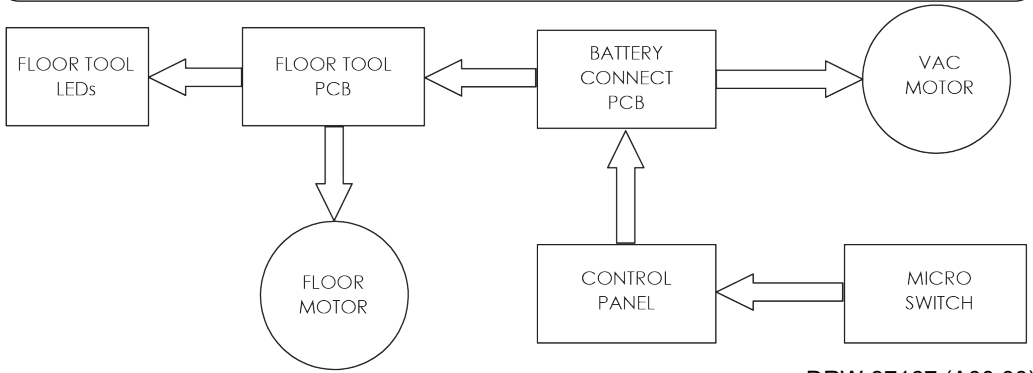
### **Note:**

Inhalation, skin contact and eye contact are possible if the battery is damaged.

Exposure to internal contents, the corrosive fumes will be very irritating to skin, eyes and mucous membranes.

Overexposure can cause symptoms of non-fibroid lung injury and membrane irritation.

## Schematic diagram



DRW-37167 (A00.00)

## Replacement parts

Spares and Accessories	
914745	Numatic Battery Pack Assembly (25.2 V) Graphite
915242	Battery Charger - UK Plug
914746	Numatic Floor Tool Graphite
914592	Pack of 10 Pods
914593	Pack of 10 Scent Capsules

### Notes:

---



---



---



---



---



---



---



---



---



---



---



---



---



---



---



---



---



---



---



---



---



---

**Numatic Quick  
Numatic International  
WARRANTY**

Numatic International Limited grants to the original purchaser a warranty on the terms and for the period set out below:

**Light Commercial Use.....1 year**

**Note:**

This warranty expressly excludes consumable parts that are considered replaceable from time to time during the normal working life of the machine.

Using non Henry or Numatic Pods can be detrimental to both machine performance and life and may invalidate the Warranty.

Failure to follow the relevant equipment Instruction Manual and Battery Leaflet or use the correct Numatic or Henry charger will void your warranty.

- A. The warranty period commences from the date the goods are purchased.
- B. All warranty claims must be processed through the Dealer from whom the equipment was purchased. The Dealer will co-operate with the purchaser throughout the warranty claims procedure and will arrange and necessary repairs using genuine Numatic parts.
- C. If the original Dealer is no longer able to fulfil his obligations please contact Numatic International Limited with full details of the claim and proof of purchase so that this may be processed without delay.
- D. Any warranty claim can only relate to the specific part that is proven to be at fault and for which a replacement will be supplied but cannot be extended to constitute a claim against the complete machine.
- E. Numatic International will supply the Dealer with any warranty parts required, subject to the claim being validated, after return of the faulty items in accordance with Numatic International Limited's General Conditions of Sale.
- F. Claims will not be accepted if they are the result of fair wear and tear, misuse or abuse of any kind, or if they arise from failure to operate the equipment in accordance with its Instruction Manual and/or Battery Leaflet.
- G. No replacement will be given unless the appropriate evidence of the validity of the claim has been provided to the satisfaction of Numatic International Limited.
- H. Numatic International Limited reserves the right to charge for any unnecessary work carried out as a result of an invalid claim.
- I. No variation to this warranty may be made or implied by any member of Numatic International Limited or its Dealers unless such variation is in writing and properly authorised by the Company.

Numatic International Limited, Chard, Somerset, TA20 2GB  
Telephone 01460 68600 Fax: 01460 68458  
© Numatic International Limited



<b>UKCA Declaration of Conformity</b>	
<b>Manufacturer:</b>	Numatic International Limited Chard Somerset TA20 2GB www.numatic.co.uk
<b>Product:</b>	HEN, HTY, NQ
<b>Description:</b>	Vacuum Cleaner – Commercial – Dry
<b>We, Numatic hereby declare under our sole responsibility, that the above-mentioned product(s) is/are in conformity with the following directives and standards.</b>	
S.I. 2008: 1597	Supply of Machinery Regulations EN60335-1:2012 + AC:2014 + A11:2014 + A13:2017 EN60335-2-69:2012 EN62233:2008
S.I. 2016: 1091	EMC Regulations EN55014-1:2017 + A1:2020 EN55014-2:1997 + A1:2001 + A2:2008 EN61000-3-2:2014 EN61000-3-3:2013
S.I. 2012: 3032	RoHS Regulations

Authorised Signatory: Mr. Matthew Coles

Position: Head of Technology

Signature: *M Coles* Date: 29<sup>th</sup> Apr 2022

Numatic International Limited,  
Chard,  
Somerset, TA20 2GB, UK

<b>EU, EC, UE, ES:</b> <b>Declaration of Conformity</b> Deklaracija o skladnosti Konformitiserklärung Overensstemmelseserklæring Declaración de conformidad Yhtyväsäätöseläsoon Deklaracja de conformitate	<b>Декларация о соответствии</b> Декларация о соответствии Dichiarazione di conformità Atiškites deklaracija Conformiteitsverklaring Samsvarerklæring Declararea de conformitate	<b>Declaración de conformidad</b> Deklaracija o skladnosti Konformitiserklärung Overensstemmelseserklæring Declaración de conformidad Yhtyväsäätöseläsoon Deklaracja de conformitate
<b>Manufacturer:</b> / Произво-дитель / Fabricant / Fabricante / Τοοία / Гаминатор / Производитель / Produsent / Fabricante / Productor / Produttore / Tilvarener / Tilveger / Proizvajalca / Valmistaja: <b>Product:</b> / Произв-д / Термек / Produkt / Produkto / Produkta / Antika / Produkt / Productos / Produkt / Produkt / toapaj / Produkt / Izdelka / Tüte: <b>Description:</b> / Описание / Omkavelse / Beskrivelse / Description / Descripción / La description / Omschrijving / Beskrivelse / Descripción / Opis / Descrição / Omkavelse / Beskrivelse / Opis / Zavod:	<b>Manufacturer:</b> / Произво-дитель / Fabricant / Fabricante / Τοοία / Гаминатор / Производитель / Produsent / Fabricante / Productor / Produttore / Tilvarener / Tilveger / Proizvajalca / Valmistaja: Numatic International Limited Chard Somerset TA20 2GB www.numatic.co.uk HEN, HTY, NQ <b>Vacuum Cleaner – Commercial – Dry</b>	<b>Manufacturer:</b> / Произво-дитель / Fabricant / Fabricante / Τοοία / Гаминатор / Производитель / Produsent / Fabricante / Productor / Produttore / Tilvarener / Tilveger / Proizvajalca / Valmistaja: Numatic International Limited Chard Somerset TA20 2GB www.numatic.co.uk HEN, HTY, NQ <b>Vacuum Cleaner – Commercial – Dry</b>
<b>GB</b> We, Numatic hereby declare under our sole responsibility, that the above-mentioned product(s) is/are in conformity with the following directives and standards.	<b>BG</b> Ние, Numatic С-настолното всасващо устройство, което е предмет на настоящата декларация, декларираме, че съответствие със следните директиви и стандарти.	<b>PT</b> Nós, a Numatic declaramos, sob nossa inteira responsabilidade, que o produto acima mencionado está em conformidade com as diretivas e normas a seguir.
<b>CZ</b> My, Numatic, prohlašujeme na svou vlastní odpovědnost, že výše uvedený výrobek je v souladu s následujícími směrnici a normami.	<b>GR</b> Εγώ, η Numatic, δηλώνω με την ολόκληρη μου την ευθύνη, ότι το παραπάνω προϊόν συμμορφώνεται με τις ακόλουθες οδηγίες και πρότυπα.	<b>PL</b> My, Numatic herejzym oświadczamy z pełną odpowiedzialnością, że wyżej wymieniony produkt jest zgodny z następującymi dyrektywami i normami.
<b>DE</b> Wir, die Numatic International in Chard, Somerset, erklären, dass das oben erwähnte Produkt den folgenden Richtlinien und Normen entspricht.	<b>HU</b> Mi, Numatic kijelentjük, egyedül felelősséggel, hogy a fent említett termék megfelel az alábbi irányelveknek és szabványoknak.	<b>RO</b> Noi, Numatic declaram în propria răspundere, că produsul menționat este în conformitate cu următoarele standarde și norme.
<b>DK</b> Vi, Numatic erklærer hermed under eget ansvar at ovennævnte produkt(er) er i overensstemmelse med følgende direktiver og standarder.	<b>IT</b> Noi, Numatic dichiari sotto la propria responsabilità, che il prodotto menzionato è conforme alle seguenti direttive e norme.	<b>RU</b> Мы, Нидемат, оама заявляем/оа заявляем, что вышесказанное изделие соответствует следующим директивам и стандартам.
<b>ES</b> Nosotras, Numatic declaramos bajo nuestra única responsabilidad que el producto antes mencionado está en conformidad con las siguientes directivas y normas.	<b>LT</b> Mes, "Numatic" pareiškiu, vėnašališkai atsakomybės, kad pirmiau minėtas produktas atitinka šias direktyvas ir standartus.	<b>SE</b> Vi Numatic förklarar härmed under eget ansvar att ovan nämnda produkt överensstämmer med följande direktiv och normer.
<b>EE</b> Meie, Numatic kinnitame, et tootmisüksuse vastutuse all on loetud tootmisüksuse tootud toode vastavalt allpool nimetatud tootmisüksuse järeleandmise direktiivide ja normidega.	<b>NO</b> Vi, Numatic erklærer herved under eget ansvar, at det ovennevnte produkt er i samsvar med følgende direktiver og standarder.	<b>SI</b> Mi, Numatic izjavljamo s profno odgovornostjo, da je zgoraj omenjeni proizvod skladna s naslednjimi smernicami in standardi.
<b>FR</b> Nous, Numatic déclarons sous notre seule responsabilité que le produit mentionné ci-dessus est conforme aux directives et normes suivantes.		<b>FI</b> Me, Numatic tilteen vakuumime oella vastuulla, että edellä mainittu tuote on yhdenmukainen seuraavien direktiivien ja standardien mukaisesti.

<b>2006/42/EC</b>	<b>Machinery Directive</b> EN60335-1:2012 + AC:2014 + A11:2014 + A13:2017 EN62233:2008
-------------------	--

<b>2014/30/UE</b>	<b>EMC Directive</b> EN55014-1:2017 + A1:2020 EN55014-2:1997 + A1:2001 + A2:2008 EN61000-3-2:2014 EN61000-3-3:2013
<b>2011/65/UE</b>	<b>RoHS Directive</b>

Authorised Signatory: Mr. Matthew Coles

Position: Head of Technology

Signature: *M Coles* Date: 29<sup>th</sup> Apr 2022

Numatic International Limited  
Chard,  
Somerset, TA20 2GB, UK

# Numatic



Numatic International Limited.  
Chard, Somerset TA20 2GB ENGLAND  
Tel: 01460 68600 [www.numatic.co.uk](http://www.numatic.co.uk)



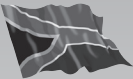
Numatic International GmbH. Fränkische Straße 15–19  
D-30455 Hannover, DEUTSCHLAND  
Tel: 05 11 98 42 16 0 [www.numatic.de](http://www.numatic.de)



Numatic International SAS. 13 / 17 rue du Valengelier  
EAE La Tuilerie, 77500 CHELLES, FRANCE  
Tel: 01 64 72 61 61 [www.numatic.fr](http://www.numatic.fr)



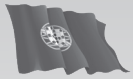
Numatic International BV, Vennootsweg 15  
2404 CG, Alphen aan den Rijn, Nederland  
Tel: 0172 467 999 [www.numatic.nl](http://www.numatic.nl)



Numatic International (Pty.) Ltd.  
16th & Pharmaceutical Roads, Midrand, Gauteng,  
SOUTH AFRICA 1685  
Tel: 0861 686 284 [www.numatic.co.za](http://www.numatic.co.za)



Numatic International Schweiz AG.  
Sihlbruggstrasse 3A, 6340 Baar. SCHWEIZ  
Tel: 0041 (0) 41 76 80 76 - 0 [www.numatic.ch](http://www.numatic.ch)



Numatic International ULDA. Rua da Boa Viagem, 177  
4470.210 Maia. PORTUGAL  
Tel: +351 220 047 700 [www.numatic.pt](http://www.numatic.pt)



Numatic International SLU. C/ La Forja, 41, 08840 Viladecans  
(Barcelona), Spain  
Tel: +34 93 647 22 22 [www.numatic.es](http://www.numatic.es)

This Product has been comprehensively inspected and checked during every stage of its manufacture.  
Including an in-depth electrical safety and functionality test.

Specification subject to change without prior notice  
[numatic.com](http://numatic.com) © Numatic International Limited