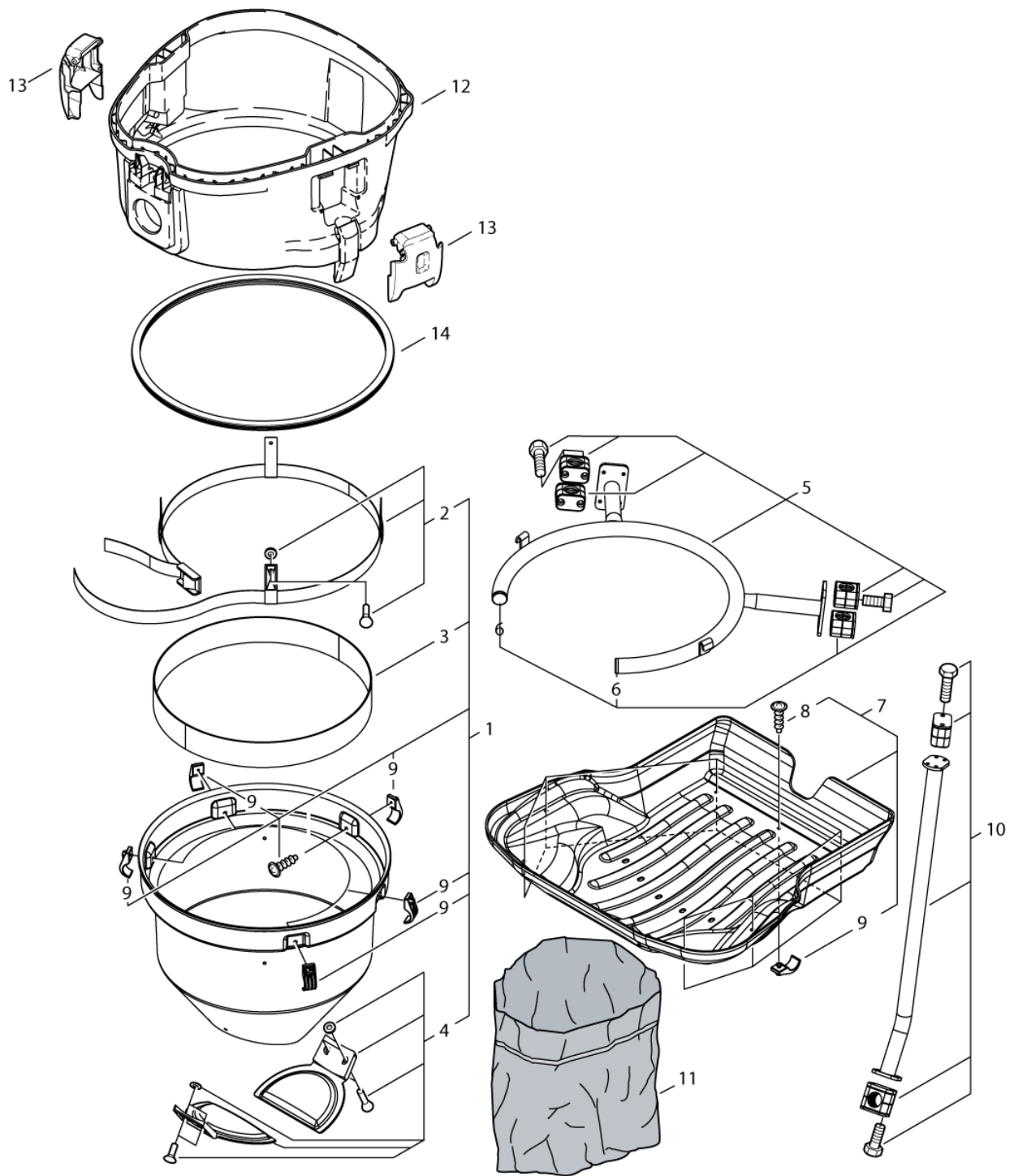


PARTS LIST



TABLE OF CONTENTS

Container 763-21 ED 1



No.	Part No.	Qty.	Description	Part Note
1	302002021	1	EASY DISPOSAL CONTAINER	[1]
2	302002020	1	HANDLE W/ TAPE	[1]
3	302002001	1	GASKET 1115X50X2.5	[1]
4	302002022	1	FLAP	[2]
5	302002023	1	SUPPORTING FRAME	[1]
6	302002006	1	PLUG D25	[1]
7	302002025	1	TROUGH 544X578X96	[1]
8	10028	1	SCREW KA50X14 WN1411	
9	302001898	1	SCREW HOOK	[1]
10	302002024	1	FOOT 579X74X48	[1]
11	302001629	1	DISPOSAL BAG ATTIX 7 ED SET25	[3]
12	107400257	1	ADAPTORRING ATTIX 7 - ALTO BLUE - KIT	
13	302000349	2	LOCKING CLAMP	
14	302001432	1	GASKET CONTAINER	

Part Notes:

- [1] - NO LONGER AVAILABLE
- [2] - GUARANTEE DATE EXPIRED
- [3] - PRUNED WITH NO REPLACEMENT

